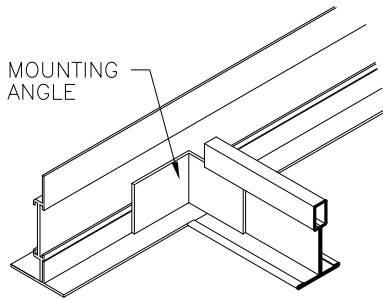
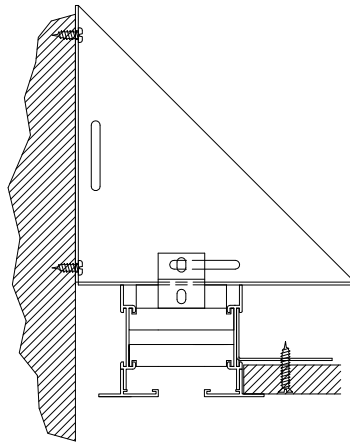


**MOUNTING ANGLE (MA)**

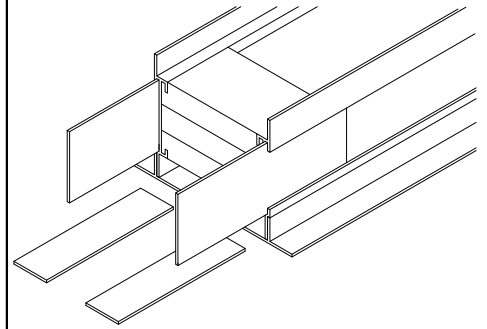


INSTALLATION WITH T-BAR

**SUPPORT GUSSET (MG)**

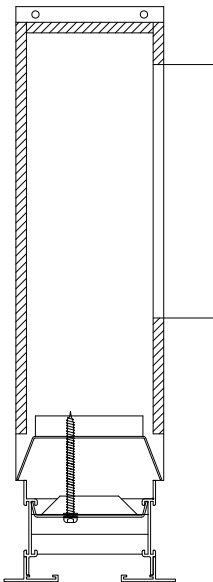


**SPLICE PLATE (SP)**



SUPPLIED WITH ALL 'Y' END CONDITIONS

**21P, 22P (P)**  
CONCEALED MOUNTING BRACKET



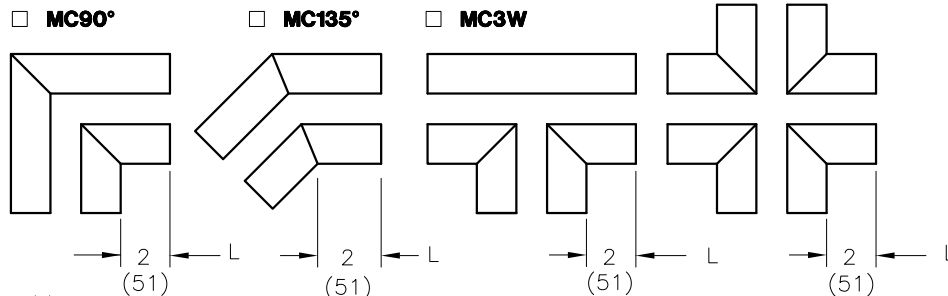
INSTALLATION WITH PRICE ASP / JSP SERIES PLENUM

**21C, 21SM, 22C, 22SM (C)**  
CONCEALED MOUNTING BRACKET



INSTALLATION WITH UP / UPL PLENUM, FIELD BUILT PLENUM, OR RETURN AIR APPLICATION

**MITERED SECTIONS**



ALL METRIC DIMENSIONS ( ) ARE SOFT CONVERTED. IMPERIAL DIMENSIONS ARE CONVERTED TO METRIC AND ROUNDED TO THE NEAREST MILLIMETER.

**PROJECT:**



**ENGINEER:**

*Handwritten signature*

**CUSTOM FLOW**  
ACCESSORIES

**CUSTOMER:**

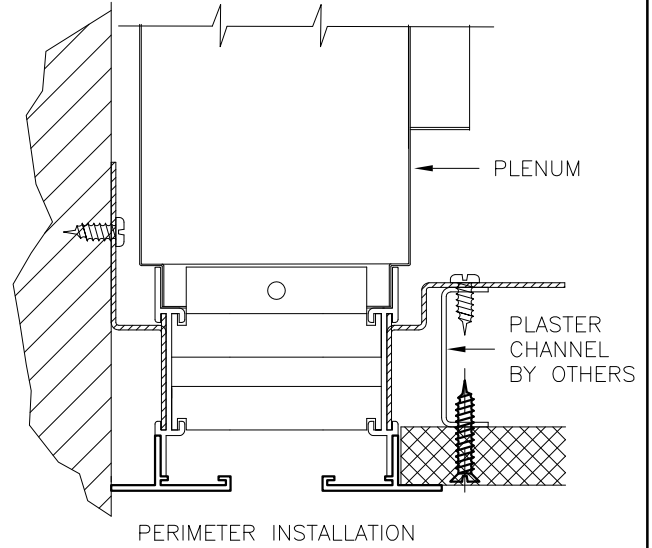
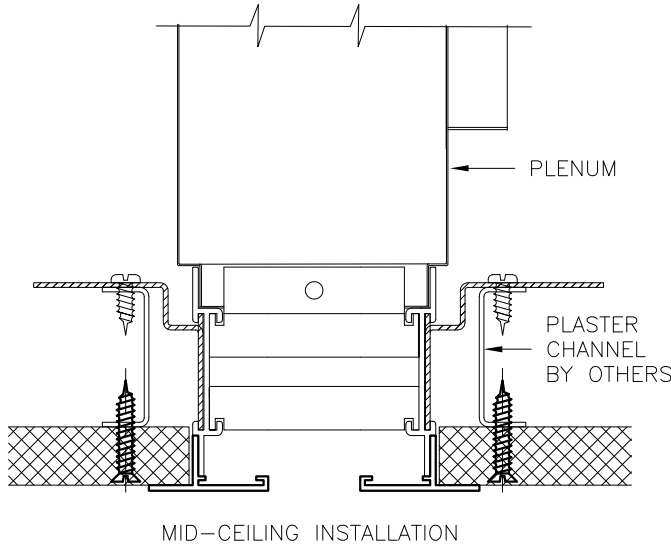
227471

**SUBMITTAL DATE:**

**SPEC. SYMBOL:**

2014/10/15

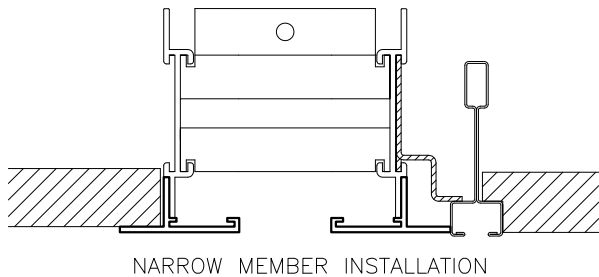
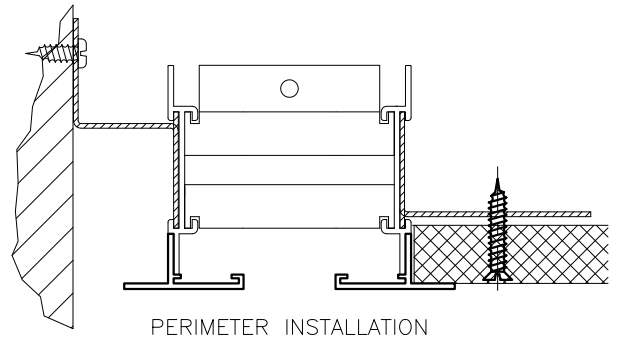
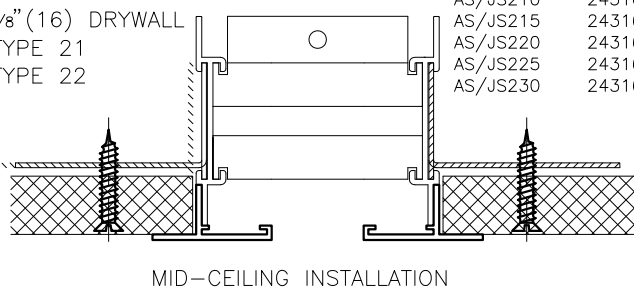
**MOUNTING PLATE (MP)**  
VARIOUS APPLICATIONS



**MP - D625**

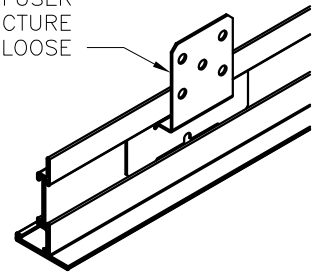
5/8" (16) DRYWALL  
TYPE 21  
TYPE 22

Slot Width	Bracket P/N
AS/JS210	243163-002
AS/JS215	243163-003
AS/JS220	243163-004
AS/JS225	243163-005
AS/JS230	243163-006



**MP - MOUNTING PLATES**

MOUNTING PLATES  
MAY BE USED TO  
SUSPEND DIFFUSER  
FROM STRUCTURE  
SUPPLIED LOOSE



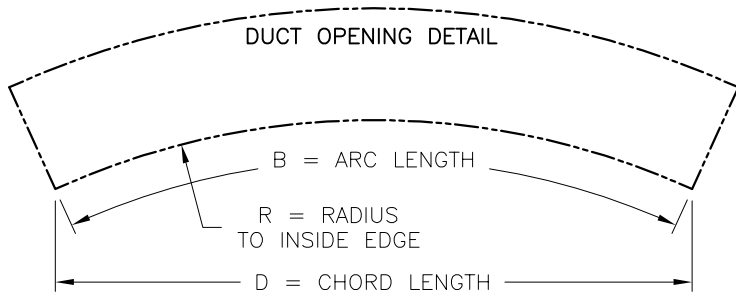
**NOTE:**

- MOUNTING PLATE CONFIGURATIONS SHOWN ARE FOR 1" SLOT WIDTH.
- CONFIGURATIONS MAY VARY PENDING ON SLOT WIDTH.

ALL METRIC DIMENSIONS ( ) ARE SOFT CONVERTED. IMPERIAL DIMENSIONS ARE CONVERTED TO METRIC AND ROUNDED TO THE NEAREST MILLIMETER.

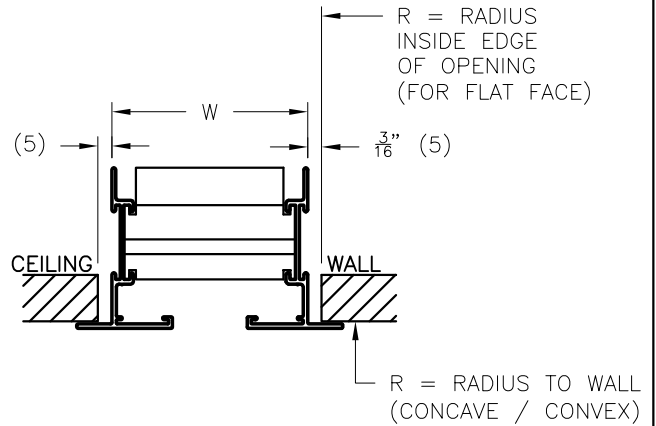
<b>PROJECT:</b>		<b>PRICE</b> <sup>®</sup>	
<b>ENGINEER:</b>		<i>MG</i>	<b>CUSTOM FLOW</b> ACCESSORIES APPLICATION OF MODIFIED MOUNTING PLATES FOR VARIOUS INSTALLATIONS
<b>CUSTOMER:</b>		227471	
<b>SUBMITTAL DATE:</b>	<b>SPEC. SYMBOL:</b>	2014/10/15	

**FLAT FACE**

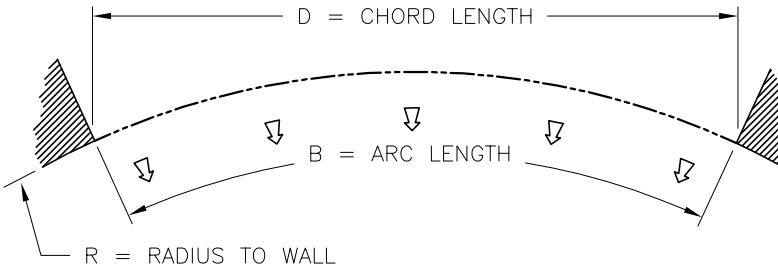


1 SLOT

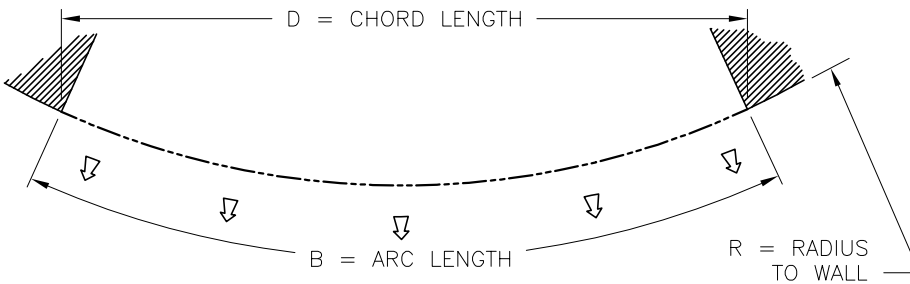
2 SLOT



**CONCAVE FACE**



**CONVEX FACE**



RADIUS	R = _____
<input type="checkbox"/> CHORD LENGTH	D = _____
- OR -	
<input type="checkbox"/> ARC LENGTH	B = _____

**MODELS:**

- AS210 - 1" (25) SLOT
- AS215 - 1½" (38) SLOT
- AS220 - 2" (51) SLOT
- AS225 - 2½" (64) SLOT
- AS230 - 3" (76) SLOT
  
- JS210 - 1" (25) SLOT
- JS215 - 1½" (38) SLOT
- JS220 - 2" (51) SLOT
- JS225 - 2½" (64) SLOT
- JS230 - 3" (76) SLOT

**FRAME:**

- TYPE 21 - EXPOSED FRAME (SEE SUBMITTAL 241834)
- TYPE 22 - CONCEALED FRAME (SEE SUBMITTAL 256223)

**NOTES:**

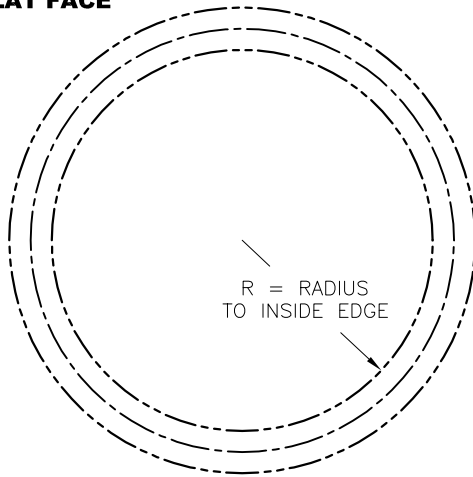
- REFER TO DRAWING 228357 FOR CIRCULAR CONFIGURATIONS
  - X END CONDITION NOT AVAILABLE ON CURVED UNITS
  - SMALLER RADII MAY BE AVAILABLE AVAILABLE WITH LONGER LEAD TIME, CONTACT CUSTOMER SERVICE FOR MORE INFORMATION
  - VERY LARGE RADII MAY BE SUPPLIED AS PIECEWISE LINEAR
- ↻ INDICATES AIRFLOW DIRECTION

SLOT WIDTH	MINIMUM RADIUS - FLAT FACE				CONCAVE & CONVEX	
	TYPE 21		TYPE 22		TYPE 21 & 22	
	1 SLOT	2 SLOT	1 SLOT	2 SLOT	1 SLOT	2 SLOT
1" (25)	30" (762)	48" (1219)	72" (1829)	72" (1829)	60" (1524)	67" (1702)
1½" (38)	35" (889)	96" (2438)	120" (3048)	120" (3048)	60" (1524)	67" (1702)
2" (51)	120" (3048)	240" (6096)	500" (12700)	500" (12700)	60" (1524)	67" (1702)
2½" (64)	720" (18288)	720" (18288)	1200" (30480)	1200" (30480)	60" (1524)	67" (1702)
3" (76)	SPECIAL QUOTE	SPECIAL QUOTE	SPECIAL QUOTE	SPECIAL QUOTE	60" (1524)	67" (1702)

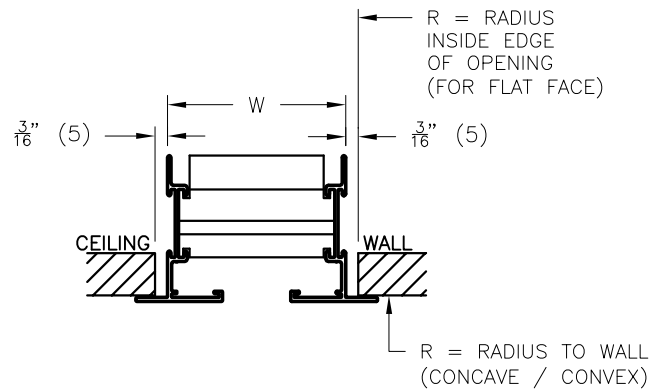
ALL METRIC DIMENSIONS ( ) ARE SOFT CONVERTED. IMPERIAL DIMENSIONS ARE CONVERTED TO METRIC AND ROUNDED TO THE NEAREST MILLIMETER.

<b>PROJECT:</b>		<b>PRICE®</b>		<b>CUSTOM FLOW</b> AS/JS SERIES TYPE 21, 22 CURVED SITE DATA
<b>ENGINEER:</b>				
<b>CUSTOMER:</b>		228356		
<b>SUBMITTAL DATE:</b>	<b>SPEC. SYMBOL:</b>	2019/07/18		

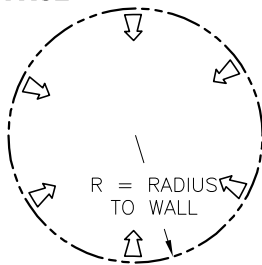
**FLAT FACE**



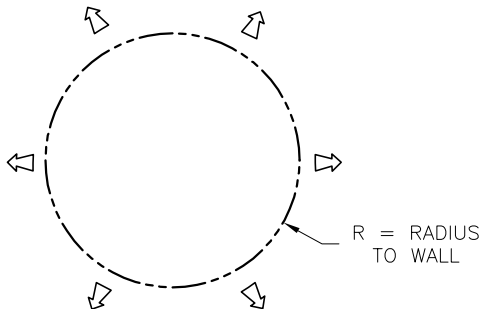
1 SLOT     2 SLOT



**CONCAVE FACE**



**CONVEX FACE**



RADIUS	R = _____
--------	-----------

**MODELS:**

- AS210 – 1" (25) SLOT
- AS215 – 1½" (38) SLOT
- AS220 – 2" (51) SLOT
- AS225 – 2½" (64) SLOT
- AS230 – 3" (76) SLOT
  
- JS210 – 1" (25) SLOT
- JS215 – 1½" (38) SLOT
- JS220 – 2" (51) SLOT
- JS225 – 2½" (64) SLOT
- JS230 – 3" (76) SLOT

**FRAME:**

- TYPE 21 – EXPOSED FRAME (SEE SUBMITTAL 241834)
- TYPE 22 – CONCEALED FRAME (SEE SUBMITTAL 256223)

**NOTES:**

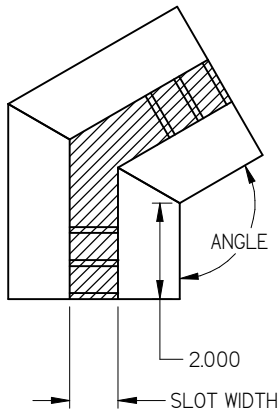
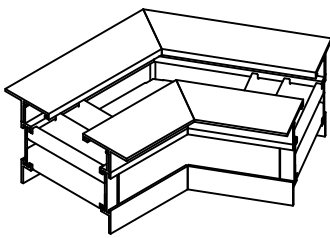
- SMALLER RADII MAY BE AVAILABLE AVAILABLE WITH LONGER LEAD TIME, CONTACT CUSTOMER SERVICE FOR MORE INFORMATION
  - VERY LARGE RADII MAY BE SUPPLIED AS PIECEWISE LINEAR
- ↙ INDICATES AIRFLOW DIRECTION

SLOT WIDTH	MINIMUM RADIUS – FLAT FACE				CONCAVE & CONVEX	
	TYPE 21		TYPE 22		TYPE 21 & 22	
	1 SLOT	2 SLOT	1 SLOT	2 SLOT	1 SLOT	2 SLOT
1" (25)	30" (762)	48" (1219)	72" (1829)	72" (1829)	60" (1524)	67" (1702)
1½" (38)	35" (889)	96" (2438)	120" (3048)	120" (3048)	60" (1524)	67" (1702)
2" (51)	120" (3048)	240" (6096)	500" (12700)	500" (12700)	60" (1524)	67" (1702)
2½" (64)	720" (18288)	720" (18288)	1200" (30480)	1200" (30480)	60" (1524)	67" (1702)
3" (76)	SPECIAL QUOTE	SPECIAL QUOTE	SPECIAL QUOTE	SPECIAL QUOTE	60" (1524)	67" (1702)

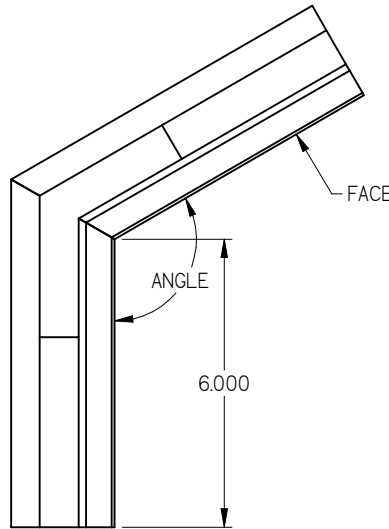
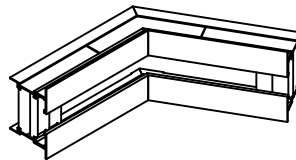
ALL METRIC DIMENSIONS ( ) ARE SOFT CONVERTED. IMPERIAL DIMENSIONS ARE CONVERTED TO METRIC AND ROUNDED TO THE NEAREST MILLIMETER.

<b>PROJECT:</b>		<b>PRICE®</b>	
<b>ENGINEER:</b>		228357	<b>CUSTOM FLOW</b> AS/JS SERIES TYPE 21, 22 CIRCULAR SITE DATA
<b>CUSTOMER:</b>			
<b>SUBMITTAL DATE:</b>	<b>SPEC. SYMBOL:</b>		
		2019/07/19	

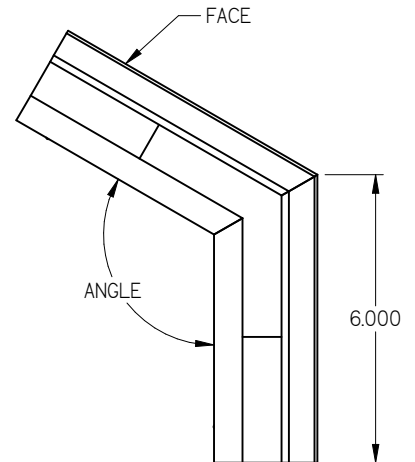
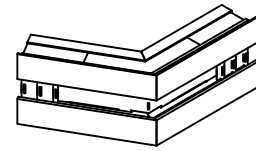
**CUSTOM FLOW - MITERED CORNER  
IN-PLANE MITER**



(1) IN-PLANE MITER



(2) INSIDE CORNER



(3) OUTSIDE CORNER

**STANDARD CONSTRUCTION:**

- FRAME & SPACER - EXTRUDED ALUMINUM:
  - TYPE 21: FLAT FACE FRAME
  - TYPE 22: PLASTER FRAME
- BLANK-OFF - STEEL

**FINISH:**

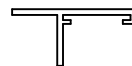
- BLANK-OFF - B17 BLACK
- INTERIOR SURFACES:
  - UPPER FRAME TO MATCH DIFFUSER FACE FINISH
  - BFR - B17 BLACK UPPER FRAME STACK
- DIFFUSER FACE - B12 WHITE (OPTIONAL FINISHES AVAILABLE)

**FASTENING:**

- SPLICE PLATES SUPPLIED TO LINK CORNER TO ACTIVE LENGTHS OF CUSTOM FLOW UNITS.

**NOTES:**

- FACTORY TOLERANCE +/- 1/32"



TYPE 21 FRAME



TYPE 22 FRAME

TYPE OF CORNER (1, 2, OR 3)	TYPE OF FRAME (TYPE 21 OR 22)	ANGLE (40° - 175°)	# OF SLOTS (1 OR 2)	SLOT WIDTH (1.0", 1.5", 2.0" 2.5", OR 3.0")

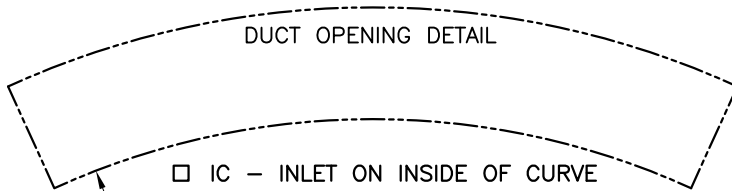
ALL METRIC DIMENSIONS ( ) ARE SOFT CONVERTED. IMPERIAL DIMENSIONS ARE CONVERTED TO METRIC AND ROUNDED TO THE NEAREST MILLIMETER.

<b>PROJECT:</b>		<p><b>CUSTOM FLOW MITERED CORNER</b></p>
<b>ENGINEER:</b>		
<b>CUSTOMER:</b>		
<b>SUBMITTAL DATE:</b>	<b>SPEC. SYMBOL:</b>	
		<p><b>246781</b></p> <p>2013/05/29</p>

**PLENUM FOR FLAT FACE DIFFUSER**

OC – INLET ON OUTSIDE OF CURVE

DUCT OPENING DETAIL



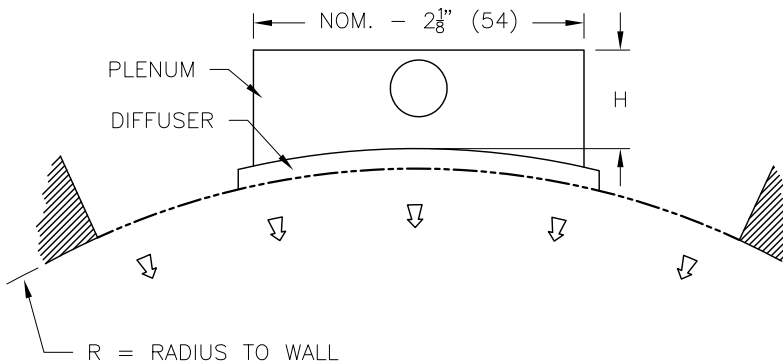
IC – INLET ON INSIDE OF CURVE

R = RADIUS TO INSIDE EDGE

\*NOTE: PLEASE IDENTIFY INLET SIDE WHEN ORDERING ASP/JSP PLENUMS FOR FLAT FACE APPLICATIONS

	PLENUM HEIGHT H	AVAILABLE INLETS
<input type="checkbox"/> 1 SLOT	12" (305)	6" (152) 8" (203) 10" (254) OVAL EQUIVALENT 12" (305) OVAL EQUIVALENT
<input type="checkbox"/> 2 SLOT	18" (457)	6" (152) 8" (203) 10" (254) 12" (305) 14" (356)

**PLENUM FOR CONCAVE FACE DIFFUSER**



R = RADIUS TO WALL

RADIUS	R = _____
--------	-----------

**MODELS:**

- ASP(I)210 – 1" (25) SLOT
- ASP(I)215 – 1½" (38) SLOT
- ASP(I)220 – 2" (51) SLOT
- ASP(I)225 – 2½" (64) SLOT
- ASP(I)230 – 3" (76) SLOT

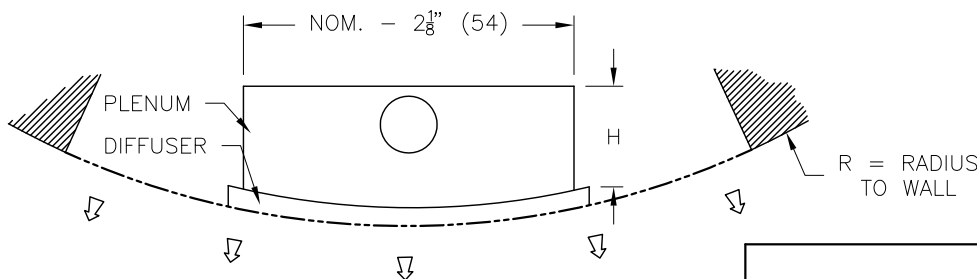
- JSP(I)210 – 1" (25) SLOT
- JSP(I)215 – 1½" (38) SLOT
- JSP(I)220 – 2" (51) SLOT
- JSP(I)225 – 2½" (64) SLOT
- JSP(I)230 – 3" (76) SLOT

**OPTIONAL INSULATION**

(SELECT MODEL SERIES ASPI / JSPI)

- CF – COATED FIBREGLASS
- FF – FIBRE FREE FOAM

**PLENUM FOR CONVEX FACE DIFFUSER**



R = RADIUS TO WALL

**AVAILABLE PLENUM LENGTHS:**

- 24" (610)
- 36" (914)
- 48" (1219)
- 60" (1524)

**NOTES:**

- SEE DIFFUSER SUBMITTAL FOR MINIMUM RADIUS LIMITATIONS FOR EACH FRAME STYLE

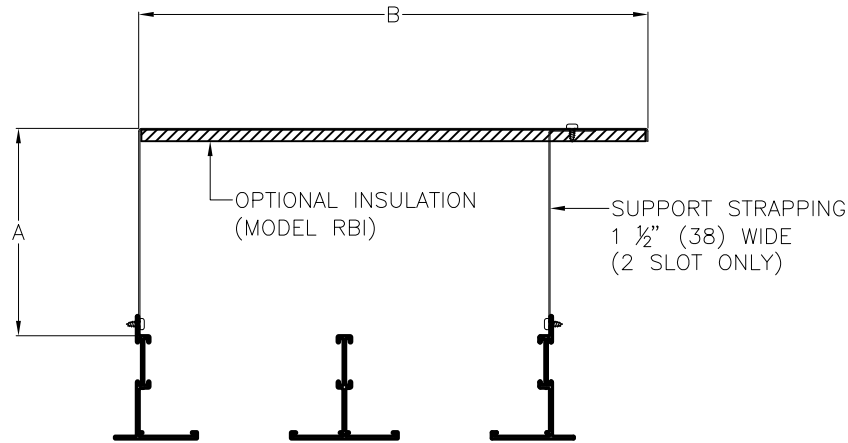
↯ INDICATES AIRFLOW DIRECTION

SLOT WIDTH	MINIMUM RADIUS			
	FLAT FACE		CONCAVE & CONVEX	
1" (25)	1 SLOT	2 SLOT	1 SLOT	2 SLOT
1½" (38)	30" (762)	30" (762)	60" (1524)	67" (1702)
2" (51)	60" (1524)	60" (1524)	60" (1524)	67" (1702)
2½" (64)	125" (3175)	300" (7620)	60" (1524)	67" (1702)
3" (76)	150" (3810)	1100" (27940)	60" (1524)	67" (1702)

ALL METRIC DIMENSIONS ( ) ARE SOFT CONVERTED. IMPERIAL DIMENSIONS ARE CONVERTED TO METRIC AND ROUNDED TO THE NEAREST MILLIMETER.

<b>PROJECT:</b>			
<b>ENGINEER:</b>			
<b>CUSTOMER:</b>		 250392	<b>CUSTOM FLOW</b> CURVED PLENUMS FOR AS/JS TYPE 21, 22
<b>SUBMITTAL DATE:</b>	<b>SPEC. SYMBOL:</b>	2016/06/29	

**CUSTOM FLOW - RB, RBI  
RETURN BAFFLE**



	RB			
	1 SLOT		2 SLOT	
	A	B	A	B
RB210	1 15/32" (37)	3 5/8" (92)	2 15/32" (63)	5 15/16" (151)
RB215	1 31/32" (50)	5 1/8" (130)	3 13/32" (86)	8 7/16" (214)
RB220	2 15/32" (63)	6 5/8" (168)	4 15/32" (114)	10 15/16" (278)
RB225	2 31/32" (75)	8 1/8" (206)	5 15/32" (139)	13 7/16" (341)
RB230	3 15/32" (88)	9 5/8" (244)	6 15/32" (164)	15 15/16" (405)

**FINISH:**

- PRE PAINTED BLACK

**MATERIAL:**

- COLD ROLLED STEEL

**FOR CUSTOM FLOW MODELS:**

- AS/JS 210 - 1" (25) SLOT
- AS/JS 215 - 1 1/2" (38) SLOT
- AS/JS 220 - 2" (51) SLOT
- AS/JS 225 - 2 1/2" (64) SLOT
- AS/JS 230 - 3" (76) SLOT

**NOTE:**

- 2 STRAPPINGS SUPPLIED FOR BAFFLES 48" (1219) AND UNDER
- 3 STRAPPINGS SUPPLIED FOR BAFFLES OVER 48" (1219)
- NOT APPLICABLE ON AS/JS USING CONCEALED MOUNTING BRACKET.
- AVAILABLE IN 1" (25) INCREMENTS, MIN. LENGTH 12" (305), MAX LENGTH 96" (2438)

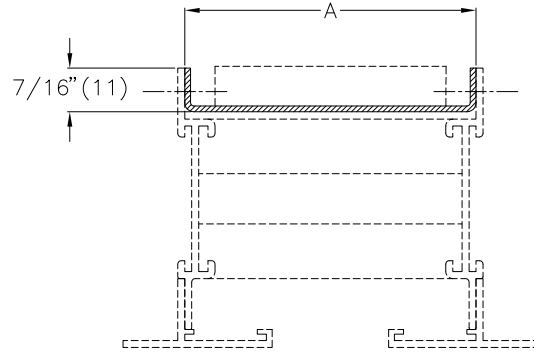
**OPTIONAL INSULATION:**

- RBI - COATED FIBERGLASS INSULATION

ALL METRIC DIMENSIONS ( ) ARE SOFT CONVERTED. IMPERIAL DIMENSIONS ARE CONVERTED TO METRIC AND ROUNDED TO THE NEAREST MILLIMETER.

<b>PROJECT:</b>		<b>PRICE</b> <sup>®</sup>	
<b>ENGINEER:</b>		<i>MJ</i>	<b>CUSTOM FLOW</b> RB, RBI RETURN BAFFLE
<b>CUSTOMER:</b>		265184	
<b>SUBMITTAL DATE:</b>	<b>SPEC. SYMBOL:</b>	2014/09/30	

**CUSTOM FLOW - MB  
METAL BLANK-OFF**



METAL BLANK-OFF		
A		
	1 SLOT	2 SLOT
MB210	2 1/2" (64)	4 13/16" (122)
MB215	3 1/2" (89)	6 13/16" (173)
MB220	4 1/2" (114)	8 13/16" (224)
MB225	5 1/2" (140)	10 13/16" (275)
MB230	6 1/2" (165)	12 13/16" (325)

**FINISH:**

- MB-PRE PAINTED BLACK

**MATERIAL:**

- COLD ROLLED STEEL

**FOR CUSTOM FLOW MODELS:**

- AS/JS 210 - 1" (25) SLOT
- AS/JS 215 - 1 1/2" (38) SLOT
- AS/JS 220 - 2" (51) SLOT
- AS/JS 225 - 2 1/2" (64) SLOT
- AS/JS 230 - 3" (76) SLOT

**NOTE:**

- SUPPLIED LOOSE
- 1 SLOT IS ALSO USED FOR TYPE 26, 27, 28 (STRADDLE)
- AVAILABLE IN 1" (25) INCREMENTS, MIN. LENGTH 12" (305) MAX. LENGTH 96" (2438)

ALL METRIC DIMENSIONS ( ) ARE SOFT CONVERTED. IMPERIAL DIMENSIONS ARE CONVERTED TO METRIC AND ROUNDED TO THE NEAREST MILLIMETER.

<b>PROJECT:</b>		<b>PRICE</b> <sup>®</sup>	
<b>ENGINEER:</b>		<i>MJ</i>	<b>CUSTOM FLOW</b> MB METAL BLANK-OFF
<b>CUSTOMER:</b>		265224	
<b>SUBMITTAL DATE:</b>	<b>SPEC. SYMBOL:</b>	2014/10/15	